

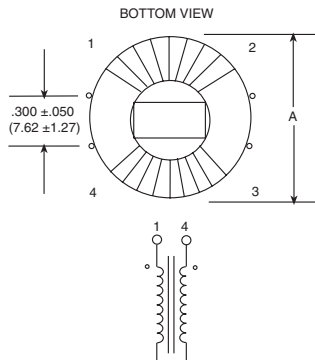
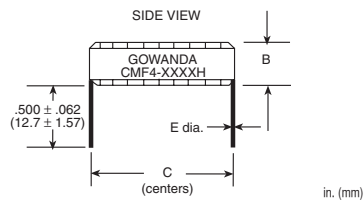
POWER INDUCTORS - THRU HOLE



CMF4 H Horizontal Mount Common Modes



PART NUMBER	INDUCTANCE @ 10 kHz μH ± 30%*	DCR OHMS MAX.*	CURRENT RATING AMPS	LEAKAGE L μH REF.	INTERWINDING CAPACITANCE pF REF.	A DIM. NOM.	B DIM. NOM.	C DIM. ± .050	E DIM. NOM.
CMF4-1003H	100	.0025	15.0	1.5	4.8	1.04 (26.42)	.440 (11.18)	0.900 (22.86)	.051 (1.30)
CMF4-2503H	250	.0038	12.0	3.2	8.0	1.04 (26.42)	.440 (11.18)	0.900 (22.86)	.051 (1.30)
CMF4-5003H	500	.006	10.0	5.8	9.7	1.04 (26.42)	.425 (10.80)	0.900 (22.86)	.045 (1.14)
CMF4-7503H	750	.013	6.7	8.0	12.0	1.00 (25.40)	.425 (10.80)	0.880 (22.35)	.036 (0.91)
CMF4-1004H	1000	.018	5.7	11.0	12.0	1.00 (25.40)	.400 (10.16)	0.880 (22.35)	.032 (0.81)
CMF4-1704H	1700	.060	3.1	22.0	11.0	.950 (24.13)	.370 (9.40)	0.860 (21.84)	.020 (0.51)
CMF4-2504H	2500	.073	2.8	29.0	15.0	.950 (24.13)	.370 (9.40)	0.860 (21.84)	.020 (0.51)
CMF4-3304H	3300	.125	2.2	38.0	15.0	.950 (24.13)	.370 (9.40)	0.860 (21.84)	.016 (0.41)
CMF4-5004H	5000	.150	2.0	48.0	17.0	.950 (24.13)	.370 (9.40)	0.860 (21.84)	.016 (0.41)
CMF4-7504H	7500	.300	1.4	80.0	20.0	.950 (24.13)	.370 (9.40)	0.860 (21.84)	.013 (0.33)
CMF4-1005H	10000	.390	1.2	95.0	20.0	.935 (23.75)	.370 (9.40)	0.860 (21.84)	.011 (0.28)



NOTES:

- Inductance and DCR is for each side or single winding
- Operating temperature -55°C to +125°C

PACKAGING SPECS:

Bulk only.